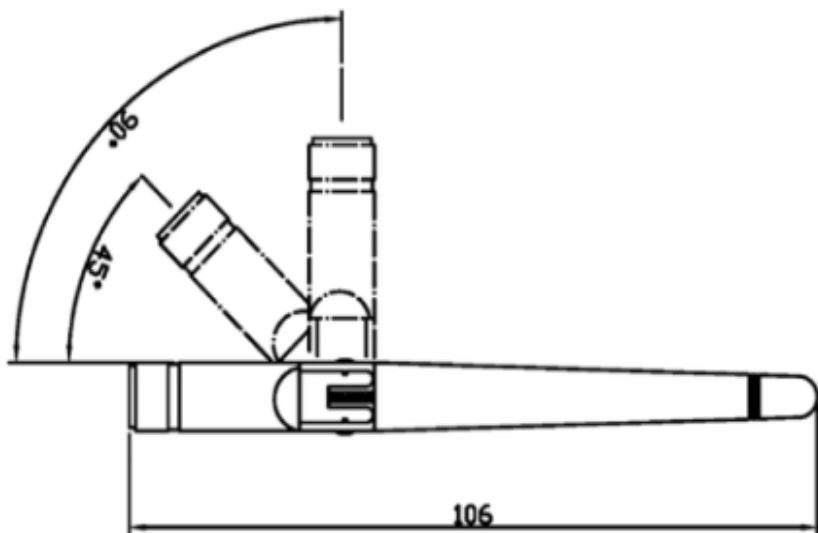




2.4G DIPOLE 2DBI ANTENNA FOR SMA MALE REVERSE POLARITY

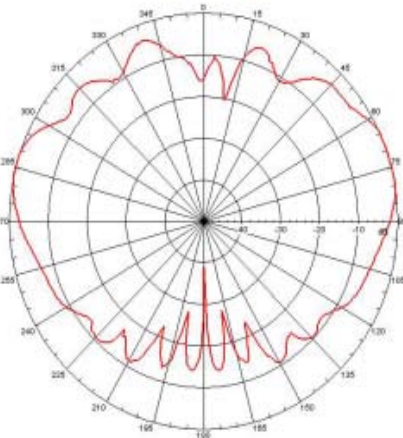
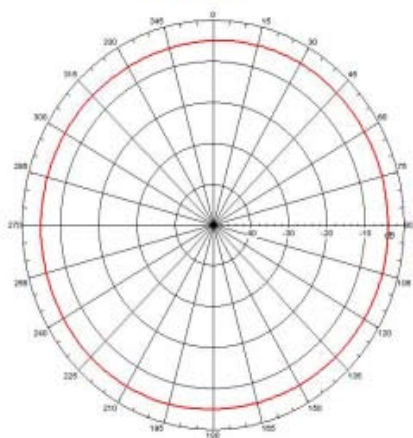
Part Number: LM251

Type:	Dipole
Frequency:	2400~2500MHz
Gain:	2Dbi
Polarization:	Linear Vertical
SWR:	≤1.5:1
Impedance:	50 Ω
Base	
Connector:	SMA Male Reverse Polarity
Weight:	13g
Size:	H 105mm × W 10mm × D 10mm
Certification:	RoHS



H-PLANE

E-PLANE



Contact



Birmingham Office

LM Technologies Ltd
 Unit 10 Caroline Point
 62 Caroline Street
 Birmingham
 B3 1UF, UK.

Tel : 0121 200 1375
 Fax: 0870 112 7636

London Office

LM Technologies Ltd
 Unit 19 Spectrum House
 32-34 Gordon House Road
 London
 NW5 1LP, UK.

Tel : 0207 428 2647
 Fax: 0870 112 7636



2.4G DIPOLE 2DBI ANTENNA FOR SMA MALE REVERSE POLARITY

Part Number: LM251

